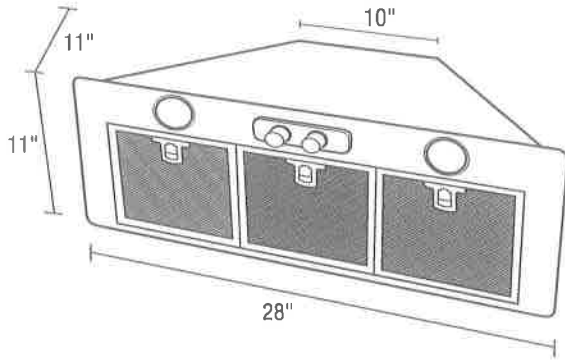




SPECIFICATIONS
SEV28S
 POWER PACKS

HVI 2100
 CERTIFIED 500 CFM/11.5 Sones @ 0.10" SP.

- **Dimensions**
 Overall bottom projection - 11"
 Height - 11"
 Width: 28"
- **Hood Body**
 All metal galvanized steel with stainless steel fascia.
- **Motor**
 3 speed, permanently split capacitor motor. Rated 120 volts, 60 hz.
- **Lighting**
 Two - GU10 base, MR16, 50 watt halogen lights.
- **Ducting Options**
 Vertical ducting: 6" round duct adapter complete with aluminum back draft damper.
- **Blower Wheel**
 Dual inlet, electronically balanced polymeric centrifugal blower wheel, 5 $\frac{3}{4}$ " width 59 paddles.
- **Cut Out Opening Size**
 Width 26 $\frac{7}{8}$ "
 Depth - 10"
- **Filters**
 Model SVGF03 aluminum grease filters (included).
- **Available Finishes**
 Stainless Steel.



EXPANDED PERFORMANCE										
Air Flow - CFM	Static Pressure (inches of w.g.)						Sones @ .1 SP	Fan Speed RPM	Power Watts	Amps
	0	0.1	0.125	0.25	0.375	0.5				
	510	500	497	485	472	459	11.5	2750	460.0	

PROJECT							ARCHITECT			
LOCATION							ENGINEER			
CONTRACTOR							SUBMITTED BY			DATE
FAN NUMBER	MODEL NUMBER	CFM	IN W.C.	RPM	WATTS	AMPS	SONES	QTY	OPTIONAL EQUIPMENT & REMARKS	



Air King: 820 Lincoln Avenue
 West Chester, Pennsylvania 19380-4466
 Tel: (610) 692-7400 • 877-304-3785
 Fax: (610) 696-8048

Canada:
 Brampton, Ontario
 Tel: 905-456-2033
 Fax: (905) 456-1015



SPECIFICATIONS
SEV28AB
 POWER PACK

High Speed 300 CFM/4.5 Sones @ 0.10" SP.
Medium Speed 200 CFM/2.5 Sones @ 0.10" SP.
Low Speed 140 CFM/0.7 Sones @ 0.10" SP.

• **Dimensions**

Overall bottom projection - 11"
 Height - 11"
 Width: 28" (for 30" canopy)

• **Body**

Galvanized steel body with stainless steel fascia. Install at least 24" above the cooking surface.

• **Lighting**

Two - GU10 base, MR16, 50 watt halogen lights.

• **Ducting**

Vertical ducting: 6" round ducting with all metal outlet adapter and back draft damper

• **Filters**

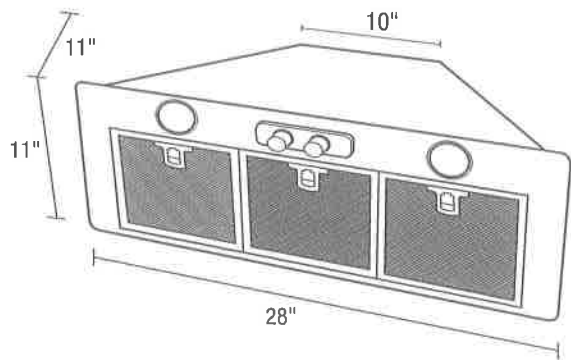
Aluminum grease filters (included).

• **Blower**

3 speed, permanently split capacitor motor. Rated 120 volts, 60 hz. with a dual inlet, electronically balanced polymeric centrifugal blower wheel

• **Cut Out Opening Size**

Width 26 7/8"
 Depth - 10"



EXPANDED PERFORMANCE										
<i>Air Flow - CFM</i>	<i>Static Pressure (inches of w.g.)</i>						<i>Sones @ .1 SP</i>	<i>Fan Speed RPM</i>	<i>Power Watts</i>	<i>Amps</i>
	<i>0</i>	<i>0.1</i>	<i>0.15</i>	<i>0.25</i>	<i>0.3</i>	<i>0.375</i>				
High Speed	315	300	292	271	259	238	4.5	1490	87.3	1.1
Medium Speed	207	200	196	185	178	163	2.5	1335	65.6	1.1
Low Speed	148	140	134	119	109	92	0.7	1080	65.6	1.1

PROJECT					ARCHITECT					
LOCATION					ENGINEER					
CONTRACTOR					SUBMITTED BY				DATE	
FAN NUMBER	MODEL NUMBER	CFM	IN W.C.	RPM	WATTS	AMPS	SONES	QTY	OPTIONAL EQUIPMENT & REMARKS	



Air King: 820 Lincoln Avenue
 West Chester, Pennsylvania 19380-4466
 Tel: (610) 692-7400 • 877-304-3785
 Fax: (610) 696-8048

Canada:
 Brampton, Ontario
 Tel: 905-456-2033
 Fax: (905) 456-1015

IMPORTANT INSTRUCTIONS - OPERATING MANUAL

Models: SEV24S, SEV28S,
SEV24AB, SEV28AB,



Power Unit



READ AND SAVE THESE INSTRUCTIONS

READ CAREFULLY BEFORE ATTEMPTING TO ASSEMBLE, INSTALL, OPERATE OR MAINTAIN THE PRODUCT DESCRIBED. PROTECT YOURSELF AND OTHERS BY OBSERVING ALL SAFETY INFORMATION. FAILURE TO COMPLY WITH INSTRUCTIONS COULD RESULT IN PERSONAL INJURY AND/OR PROPERTY DAMAGE!



RETAIN INSTRUCTIONS FOR FUTURE REFERENCE.

GENERAL SAFETY INFORMATION

When using electrical appliances, basic precautions should always be followed to reduce the risk of fire, electric shock and injury to person, including the following:



WARNING: TO REDUCE THE RISK OF FIRE, ELECTRIC SHOCK AND INJURY TO PERSON, OBSERVE THE FOLLOWING:

- Use this unit only in the manner intended by the manufacturer. If you have questions, contact the manufacturer.
- Before servicing or cleaning the unit, switch power off at service panel and lock the service disconnecting means to prevent power from being switched on accidentally. When the service disconnecting means cannot be locked, securely fasten a prominent warning device, such as a tag, to the service panel.



WARNING: TO REDUCE THE RISK OF FIRE, ELECTRIC SHOCK AND INJURY TO PERSON, OBSERVE THE FOLLOWING:

- Installation work and electrical wiring must be done by qualified person(s) in accordance with all applicable codes and standards, including fire-related construction.
- Sufficient air is needed for proper combustion and exhausting of gases through the flue (chimney) of fuel burning equipment to prevent back drafting. Follow the heating equipment manufacturer's guideline and safety standards such as those published by the National Fire Protection Association (NFPA) and the American Society for Heating, Refrigeration, and Air Conditioning Engineers (ASHRAE), and the local code authorities.
- When cutting or drilling into wall or ceiling, do not damage electrical wiring and other hidden utilities.



CAUTION: FOR GENERAL VENTILATING USE ONLY. DO NOT USE TO EXHAUST HAZARDOUS OR EXPLOSIVE MATERIALS AND VAPORS.



CAUTION: TO REDUCE THE RISK OF FIRE AND TO PROPERLY EXHAUST AIR, BE SURE TO DUCT AIR OUTSIDE - DO NOT VENT EXHAUST AIR INTO SPACES WITHIN WALLS OR CEILINGS OR INTO ATTICS, CRAWL SPACES, OR GARAGES.

- Ducted fans must always be vented to the outdoors.
- This unit must be grounded.
- To avoid motor bearing damage and noisy and/or unbalanced impellers, keep drywall spray, construction dust, etc. off power unit.
- Read all instructions before installing or using range hood.



WARNING: TO REDUCE THE RISK OF FIRE, ELECTRIC SHOCK, DO NOT USE THIS FAN WITH ANY SOLID-STATE SPEED CONTROL DEVICE.



WARNING: TO REDUCE THE RISK OF A RANGE TOP GREASE FIRE:

- Never leave surface units unattended at high settings. Boil overs cause smoking and greasy spillovers that may ignite. Heat oils slowly on low or medium settings.
- Always turn hood ON when cooking at high heat or when flambéing food (i.e. Crepes Suzette, Cherries Jubilee, Peppercorn Beef Flambé).
- Clean ventilating fans frequently. Grease should not be allowed to accumulate on fan filter.
- Use proper pan size. Always use cookware appropriate for the size of the surface element.



WARNING: TO REDUCE THE RISK OF INJURY TO PERSONS IN THE EVENT OF A RANGE TOP GREASE FIRE, OBSERVE THE FOLLOWING:

- SMOTHER FLAMES with a close-fitting lid, cookie sheet, or metal tray, then turn off burner. BE CAREFUL TO PREVENT BURNS. If the flames do not go out immediately, EVACUATE AND CALL THE FIRE DEPARTMENT.
- NEVER PICK UP A FLAMING PAN - You may be burned.
- DO NOT USE WATER, including wet dishcloths or towels - a violent steam explosion will result.
- Use an extinguisher ONLY if:
 - You know you have a Class ABC extinguisher, and you already know how to operate it.
 - The fire is small and contained in the area where it started.
 - The fire department is being called.
 - You can fight the fire with your back to an exit.



WARNING: TO REDUCE THE RISK OF FIRE, USE ONLY METAL DUCTWORK.

SAVE THESE INSTRUCTIONS

INSTALLATION INSTRUCTIONS



CAUTION: MAKE SURE POWER IS SWITCHED OFF AT SERVICE PANEL BEFORE STARTING INSTALLATION.

SECTION 1

Preparing the Insert

1. Unpack hood from the carton and confirm that all pieces are present. In addition to the range hood you should have:
 - 1 - Duct collar
 - 1 - Wire compartment
 - SEV24 models: 2 - Aluminum Grease Filters (shipped installed)
 - SEV28 and SEV30 models: 3 - Aluminum Grease Filters (shipped installed)
 - 2 - 50 watt Halogen lamps
 - 1 - Instruction/Safety Sheet

NOTE: Some hoods may be shipped with a protective plastic adhered to the underside of the unit. It is recommended to leave this in place during installation to protect it from scratching. Remove when the installation is complete.

SECTION 2

Preparing the Area



CAUTION: MAKE SURE POWER IS SWITCHED OFF AT SERVICE PANEL BEFORE STARTING INSTALLATION.



CAUTION: WHEN CUTTING OR DRILLING INTO WALL DO NOT DAMAGE ELECTRICAL WIRING AND OTHER HIDDEN UTILITIES.

1. Most building codes require noncombustible material above the cooking surface. If you have wood or some other combustible material on the bottom of your cabinets it is recommended that you use the optional hood liner (See **Section 3**) If you have noncombustible material cut an appropriate size hole into the cabinet or canopy the power unit will be mounted into (**Figure 1**):
 - SEV24 models: 18" wide by 10" deep.
 - SEV28 models: 26-7/8" wide by 10" deep.
 - SEV30 models: 30" wide by 10" deep

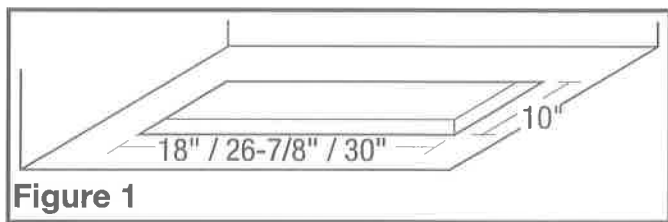


Figure 1

NOTE: The hood must be mounted a minimum of 24" and a maximum of 36" from the cooking surface.

SECTION 3

Optional Hood Liner



CAUTION: MAKE SURE THE SURFACE YOU ARE MOUNTING THE INSERT AND LINER TO IS CAPABLE OF SUPPORTING THE WEIGHT OF THE UNIT. OTHERWISE YOU WILL NEED TO REINFORCE THE AREA.

1. Secure the liner to the cabinet frame or custom canopy using three screws on each end of the liner and 3 screws on each side of the top of the liner (**Figure 2**).

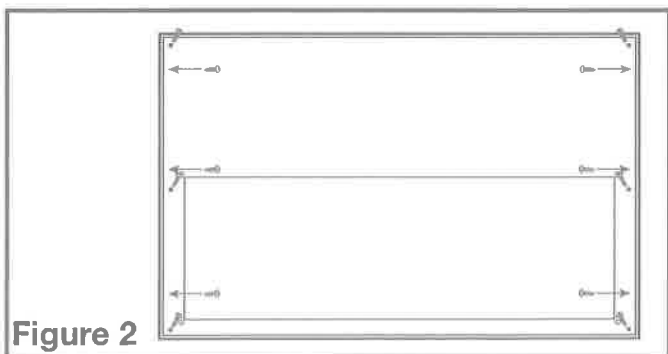


Figure 2

SECTION 4

Installing the Insert

2. Insert the power unit into the hole and secure to liner using the screws provided with the Liner (**Figure 3**).

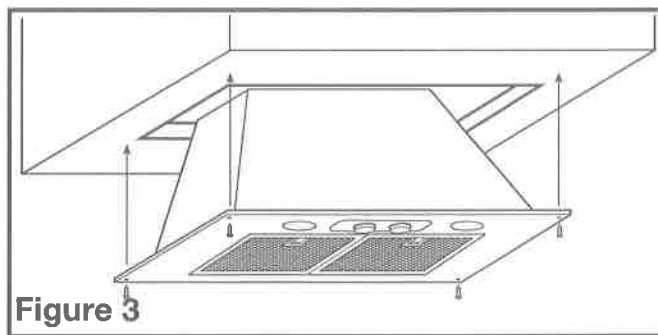


Figure 3

NOTE: If an optional Air King Liner is not being used; use appropriate hardware to install the unit in place, making sure to comply with all Local and National Building Codes.



CAUTION: MAKE SURE THE SURFACE YOU ARE MOUNTING THE POWER UNIT TO IS CAPABLE OF SUPPORTING THE WEIGHT OF THE UNIT. OTHERWISE YOU WILL NEED TO REINFORCE THE AREA.

SECTION 5

Ducting



CAUTION: ALL DUCTING MUST COMPLY WITH LOCAL AND NATIONAL BUILDING CODES.



WARNING: TO REDUCE THE RISK OF FIRE, USE ONLY METAL DUCTWORK.

1. Install the included duct collar to the hood with two of the provided #6 blunt tip screws (**Figure 4**).

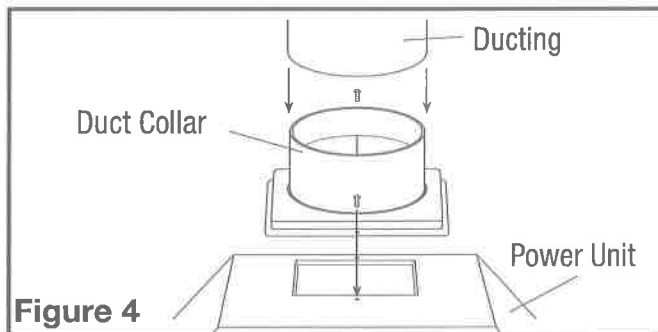


Figure 4

2. When there is access to the top of the unit, connect the ducting to the duct collar and secure in place using tape to seal all joints (**Figure 4**).
3. When there is no access to the top of the hood, carefully pull down the metal duct through the custom hood base hole. Slide this duct over the duct collar. Make sure the adapter/damper assembly enters the ducting. Seal the connection with duct tape.

NOTE: To achieve proper air flow, 6" round ducting is required. The duct connector is 5.8" in diameter (for 6" round ducting) and the center is located 3.1875" inches from the back wall.



CAUTION: ALWAYS DUCT THE FAN TO THE OUTSIDE THROUGH A WALL OR ROOF CAP.

SECTION 6

Wiring



CAUTION: ALL ELECTRICAL CONNECTIONS MUST BE MADE IN ACCORDANCE WITH LOCAL CODES, ORDINANCES, OR NATIONAL ELECTRICAL CODE. IF YOU ARE UNFAMILIAR WITH METHODS OF INSTALLING ELECTRICAL WIRING, SECURE THE SERVICES OF A QUALIFIED ELECTRICIAN.

3. Examine the wire compartment cover and select the most convenient wire entrance and remove the knock out. Feed the supply wire through the opening and install an appropriate strain relief. Connect the white wire from the power unit to the white wire from the supply. Connect the black wire from the power unit to the black wire of the supply. Connect the ground wire from the home (green or bare) to the ground wire of the power unit (green or green/yellow). Use approved methods for all connections (**Figure 5**).

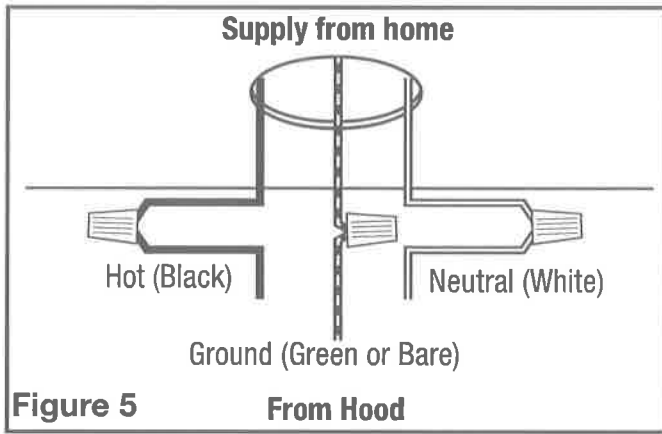


Figure 5

From Hood

2. Attach the wire compartment to the power unit with two of the provided #6 blunt tipped screws (Figure 6).

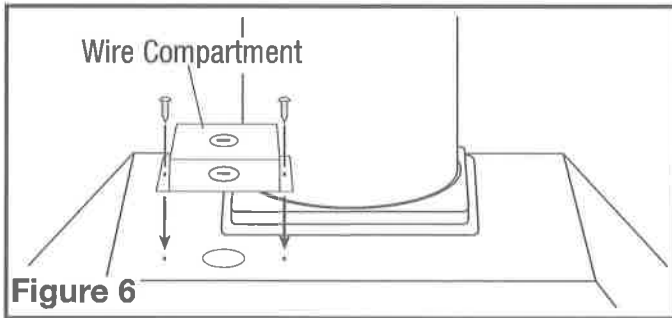


Figure 6

SECTION 7

Finishing the Installation

1. Remove any protective plastic adhered to the power unit.
2. Turn switches to the OFF (•) position and restore power. Test that the light and the fan are operating properly.
3. If there is any vibration noise, check for the source and try to tighten fasteners, adjust the tape to make a tighter connection or seal, or check that the hood collar damper, wall damper or ceiling damper are opening properly.

SECTION 8

Operation

Controls

Your Range Hood is equipped with two rotary switches with one controlling the lighting and the other controlling the exhaust fan blower. The light switch has three positions, High, Low, and Off. The fan switch has four positions, Off, High, Medium, and Low (Figure 7).



Figure 7

SECTION 9

Maintenance



CAUTION: MAKE SURE POWER IS SWITCHED OFF AT SERVICE PANEL BEFORE SERVICING THE UNIT.

Filters

1. Included with your unit are aluminum grease filters that should be washed at least once a month. The filters are dishwasher safe and should be washed in a mild soap or detergent.
2. To remove the filters, pull down on the handle tab until the filter releases from the unit. To reinstall, slide tab at rear of filter into slot in the unit. While holding in handle of filter, lift filter into place and release handle. The filter should snap securely into place (Figure 8).

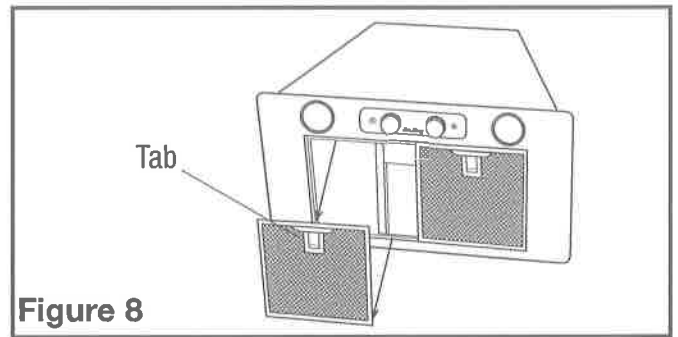


Figure 8

3. If the grease filters become damaged, replace with the Air King Model SVGF-03 Grease Filters.

Changing the Lamp

1. To remove/replace the light bulb, remove the filters using the procedure listed above.
2. Locate the lamp holder bracket mounted on the back wall of the hood (Figure 9).
3. Loosen the upper & lower wing nuts a few turns by turning counter-clockwise (loosen only, do not remove the nuts or bracket).
4. Lower the bracket so the lamp protrudes below the face of the hood.
5. Remove the lamp by turning slightly counter-clockwise and pulling out of the socket. Replace with a MR16 GU10 Base 50W maximum Halogen lamp.
6. Installation is the reverse of removal.

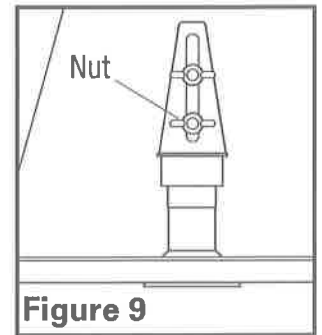


Figure 9

Fuse

To replace the fuse, turn the fuse cap located next to the wire connector counter clockwise and pull out. Replace with a Bussman MDA 250-Volt, 5 Amp Max. fuse (models SEV28AB and SEV30AB utilize a 3 Amp Max fuse). Reinstall the fuse back into the hood.

Cleaning



CAUTION: DO NOT USE GASOLINE, BENZINE, THINNER, HARSH CLEANSERS, ETC., AS THEY MAY DAMAGE THE RANGE HOOD.

1. Clean your power unit with a mild detergent, such as dishwashing liquid, and dry with a soft cloth. NEVER USE ANY ABRASIVE PADS OR SCOURING POWDERS. Completely dry before restoring power. NEVER IMMERSE ELECTRICAL PARTS IN WATER.
2. The fan assembly can be vacuumed when build up (dirt, lint, etc.) accumulates over time. The fan is permanently lubricated and does not require oiling.

CALIFORNIA RESIDENTS ONLY:



WARNING: THIS PRODUCT CAN EXPOSE YOU TO A CHEMICAL [OR CHEMICALS] KNOWN TO THE STATE OF CALIFORNIA TO CAUSE CANCER.



WARNING: THIS PRODUCT CAN EXPOSE YOU TO A CHEMICAL [OR CHEMICALS] KNOWN TO THE STATE OF CALIFORNIA TO CAUSE REPRODUCTIVE TOXICITY.

Troubleshooting Guide

Trouble	Probable Cause	Suggested Remedy
1. Hood does not operate when the switch is on.	1a. A fuse may be blown or a circuit tripped. 1b. Wiring is not connected properly.	1a. Replace fuse or reset circuit breaker. 1b. Turn off power to unit. Check that all wires are connected.
2. Hood is operating, but air moves slower than normal.	2. Obstruction in the exhaust ducting.	2. Check for any obstructions in the ducting including filter.
3. Hood is making a rattling noise.	3a. Filters are loose. 3b. Duct connection is loose. 3c. Damper is stuck.	3a. Turn off power to unit. Check that all filter screws are fully tightened. 3b. Turn off power to unit. Check that duct connection is tight. 3c. Turn off power to unit. Check that the damper is opening freely.

LIMITED WARRANTY

WHAT THIS WARRANTY COVERS: This product is warranted against defects in workmanship and/or materials.

HOW LONG THIS WARRANTY LASTS: This warranty extends only to the original purchaser of the product and lasts for one (1) year from the date of original purchase or until the original purchaser of the product sells or transfers the product, whichever first occurs.

WHAT AIR KING WILL DO: During the warranty period, Air King will, at its sole option, repair or replace any part or parts that prove to be defective or replace the whole product with the same or comparable model.

WHAT THIS WARRANTY DOES NOT COVER: This warranty does not apply if the product was damaged or failed because of accident, improper handling or operation, shipping damage, abuse, misuse, unauthorized repairs made or attempted. This warranty does not cover shipping costs for the return of products to Air King for repair or replacement. Air King will pay return shipping charges from Air King following warranty repairs or replacement.

ANY AND ALL WARRANTIES, EXPRESSED OR IMPLIED (INCLUDING, WITHOUT LIMITATION, ANY IMPLIED WARRANTY OF MERCHANTABILITY), LAST FIVE YEARS FROM THE DATE OF ORIGINAL PURCHASE OR UNTIL THE ORIGINAL PURCHASER OF THE PRODUCT SELLS OR TRANSFERS THE PRODUCT, WHICHEVER FIRST OCCURS AND IN NO EVENT SHALL AIR KING'S LIABILITY UNDER ANY EXPRESS OR IMPLIED WARRANTY INCLUDE (I) INCIDENTAL OR CONSEQUENTIAL DAMAGES FROM ANY CAUSE WHATSOEVER, OR (II) REPLACEMENT OR REPAIR OF ANY HOUSE FUSES, CIRCUIT BREAKERS OR RECEPTACLES. NOTWITHSTANDING ANYTHING TO THE CONTRARY, IN NO EVENT SHALL AIR KING'S LIABILITY UNDER ANY EXPRESS OR IMPLIED WARRANTY EXCEED THE PURCHASE PRICE OF THE PRODUCT AND ANY SUCH LIABILITY SHALL TERMINATE UPON THE EXPIRATION OF THE WARRANTY PERIOD.

Some states and provinces do not allow limitations on how long an implied warranty lasts, or the exclusion or limitation of incidental or consequential damages, so these exclusions or limitations may not apply to you. This warranty gives you specific legal rights. You may also have other rights which vary from state to state and province to province. Proof of purchase is required before a warranty claim will be accepted.

CUSTOMER SERVICE:

Toll-Free (800) 465-7300

Our Customer Service team is available to assist you with product questions, service center locations, and replacement parts. They can be reached Monday through Friday, 8am-4pm Eastern. Please have your model number available, as well as the type and style (located on the label inside of your product).

Please do not return product to place of purchase.

www.airkinglimited.com

PARTS FOR DISCONTINUED, OBSOLETE AND CERTAIN OTHER PRODUCTS MAY NOT BE AVAILABLE. DUE TO SAFETY REASONS, MANY ELECTRONIC COMPONENTS AND MOST HEATER COMPONENTS ARE NOT AVAILABLE TO CONSUMERS FOR INSTALLATION OR REPLACEMENT.

Installer: _____

Installation Date: _____

Place of Purchase: _____

Model Number: _____

REPLACEMENT PARTS DIAGRAM

#	Qty.	Description	Replacement Part #
1	1	Collar Assembly	5S5299100
2	1	Blower Plate	5S1137002
3	1	Wire Compartment	5S1137003
4	1	Main Harness	5S1137049
5	1	Blower Assembly	5S2137810
	1	Blower Assembly (AB models)	5S1140018
6	1	Fan Switch	5S1144085
7	1	Light Switch	5S4199018
8	1	Switch Plate	5S1142010
9	2	Knob	5S1142011
10	2	Lamp Holder	5S1137702
11	2	Bulb	5S1137014
12	*	Grease Filters	5S1137041
13	1	Wire Assembly	5S1137050
	1	Wire Assembly (AB models)	5S1137111
14	1	Fuse Holder	5S1999253
15	1	Fuse	5S1140021

* Quantity will vary depending on specific model

